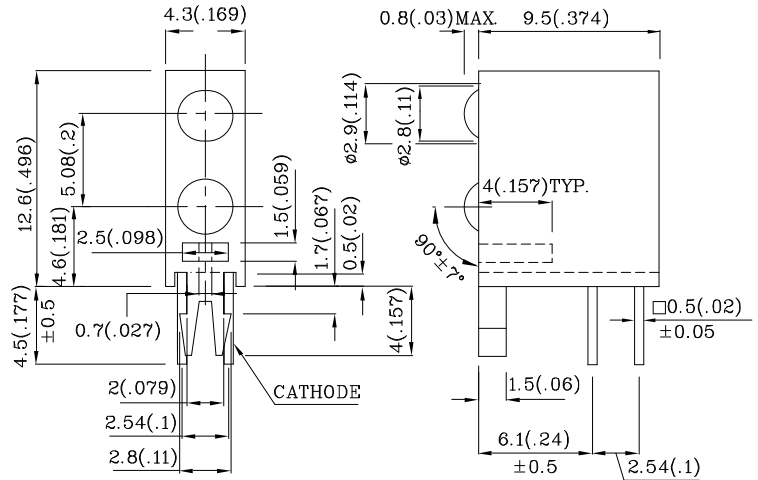


### Features

- PRE-TRIMMED LEADS FOR PC BOARD MOUNTING.
- COLORS CAN BE MIXED IN A SINGLE HOUSING.
- I.C. COMPATIBLE.
- BLACK CASE ENHANCES CONTRAST RATIO.
- HIGH RELIABILITY LIFE MEASURED IN YEARS.
- UL RATING : 94V-0.
- HOUSING MATERIAL: TYPE 66 NYLON.
- RoHS COMPLIANT.



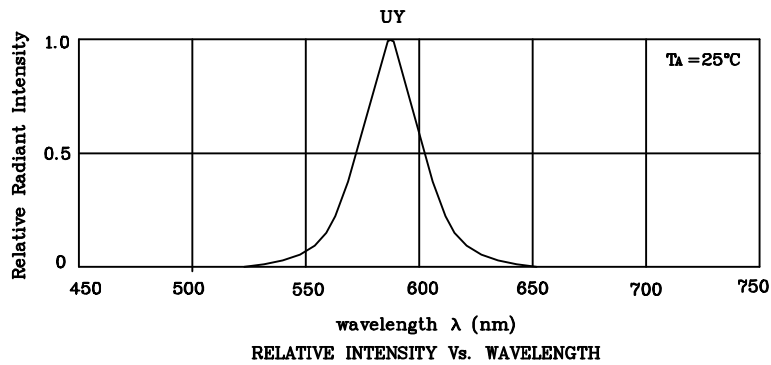
### Notes:

1. All dimensions are in millimeters (inches).
2. Tolerance is  $\pm 0.25(0.01)$ " unless otherwise noted.
3. Specifications are subject to change without notice.

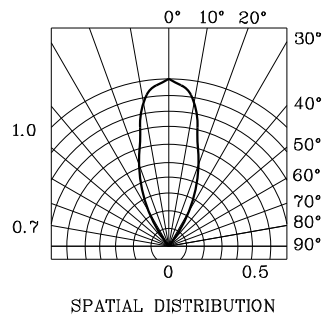
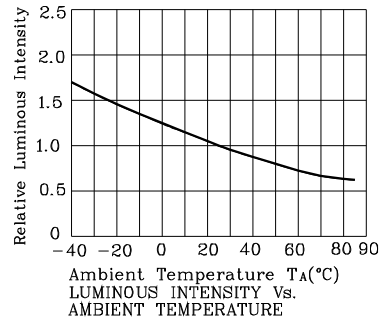
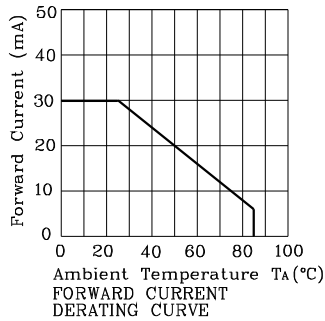
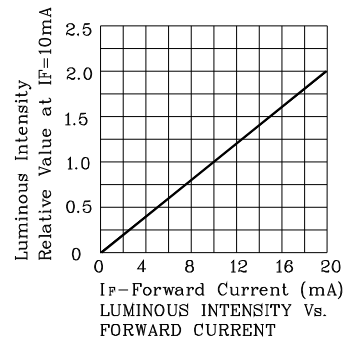
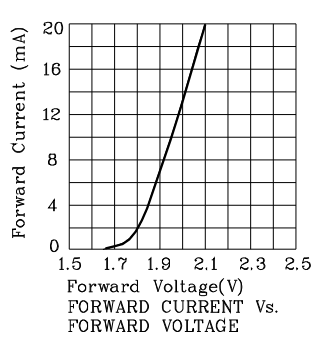
| Absolute Maximum Ratings<br>(TA=25°C)                          |                     | UY<br>(GaAsP/GaP) | Unit |
|--|---------------------|-------------------|------|
| Reverse Voltage  | VR                  | 5                 | V    |
| Forward Current  | IF                  | 30                | mA   |
| Forward Current (Peak)<br>1/10 Duty Cycle<br>0.1ms Pulse Width | iFS                 | 140               | mA   |
| Power Dissipation  | PT                  | 75                | mW   |
| Operating Temperature  | TA                  | -40 ~ +85         | °C   |
| Storage Temperature  | Tstg                | -40 ~ +85         |      |
| Lead Solder Temperature<br>[2mm Below Package Base]            | 260°C For 3 Seconds |                   |      |
| Lead Solder Temperature<br>[5mm Below Package Base]            | 260°C For 5 Seconds |                   |      |

| Operating Characteristics<br>(TA=25°C)                          |                 | UY<br>(GaAsP/GaP) | Unit |
|---|-----------------|-------------------|------|
| Forward Voltage (Typ.)<br>(IF=10mA)                             | VF              | 1.95              | V    |
| Forward Voltage (Max.)<br>(IF=10mA)                             | VF              | 2.5               | V    |
| Reverse Current (Max.)<br>(VR=5V)                               | IR              | 10                | uA   |
| Wavelength Of Peak<br>Emission (Typ.)<br>(IF=10mA)              | $\lambda P$     | 590               | nm   |
| Wavelength Of Dominant<br>Emission (Typ.)<br>(IF=10mA)          | $\lambda D$     | 588               | nm   |
| Spectral Line Full Width<br>At Half-Maximum (Typ.)<br>(IF=10mA) | $\Delta\lambda$ | 35                | nm   |
| Capacitance (Typ.)<br>(VF=0V, f=1MHz)                           | C               | 20                | pF   |

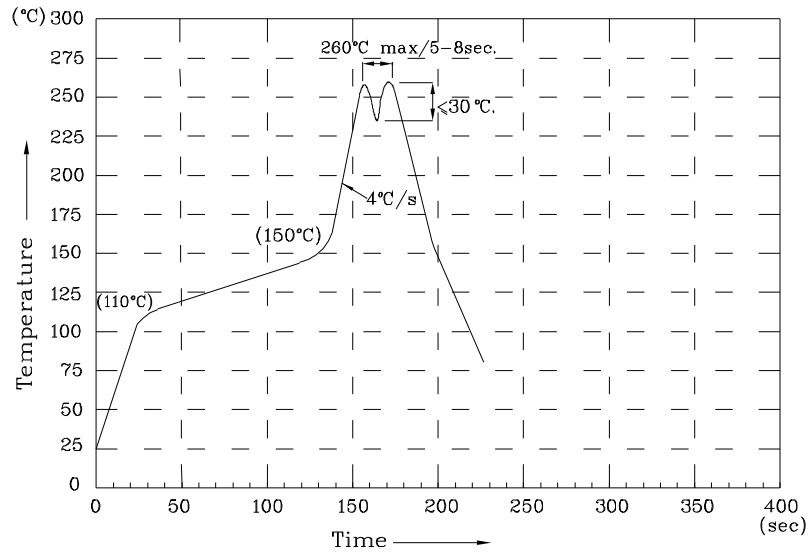
| Part<br>Number  | Emitting<br>Color | Emitting<br>Material | Lens-color      | Luminous<br>Intensity<br>(IF=10mA)<br>mcd |      | Wavelength<br>nm<br>$\lambda P$ | Viewing<br>Angle<br>2 $\theta$ 1/2 |
|---|-------------------|----------------------|-----------------|---|------|---------------------------------|------------------------------------|
|   |                   |                      |                 | min.                                      | typ. |                                 |                                    |
| YM2LUY11D   | Yellow            | GaAsP/GaP            | Yellow Diffused | 5   | 14   | 590                             | 40°                                |
| Published Date : MAR 24,2008      Drawing No : SDSA4907      V3      Checked : B.L.LIU      P.1/4 |                   |                      |                 |   |      |                                 |                                    |



❖ **UY**



Wave Soldering Profile For Lead-free Through-hole LED.



NOTES:

1. Recommend the wave temperature 245°C~260°C. The maximum soldering temperature should be less than 260°C.
2. Do not apply stress on epoxy resins when temperature is over 85 degree°C.
3. The soldering profile apply to the lead free soldering (Sn/Cu/Ag alloy).
4. No more than once.

Remarks:

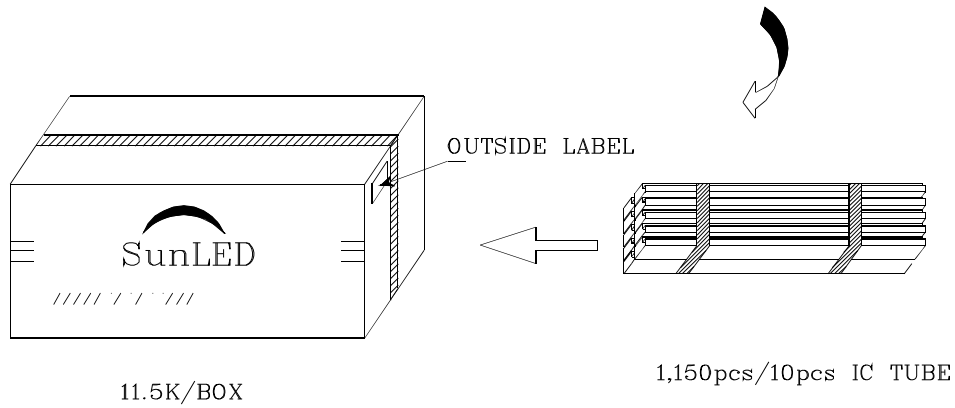
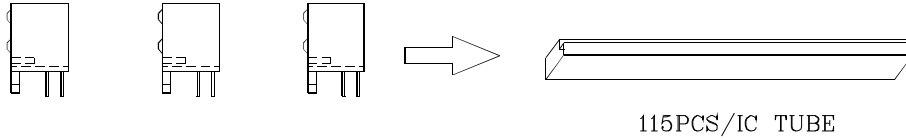

If special sorting is required (e.g. binning based on forward voltage, Luminous intensity/ luminous flux, or wavelength), the typical accuracy of the sorting process is as follows:

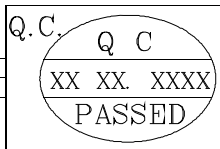
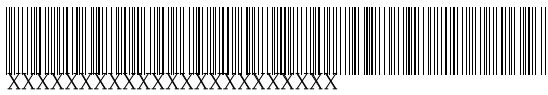
1. Wavelength: +/-1nm
2. Luminous intensity/ luminous flux: +/-15%
3. Forward Voltage: +/-0.1V

Note: Accuracy may depend on the sorting parameters.

**PACKING & LABEL SPECIFICATIONS**

**YM2LUY11D**

|  |           |
|--|-----------|
|  |           |
| P/NO : YM2Lxx11x   |           |
| QTY : 115pcs   | CODE: XXX |
| S/N : XX   |           |
| LOT NO :   |           |
|  |           |
| RoHS Compliant   |           |