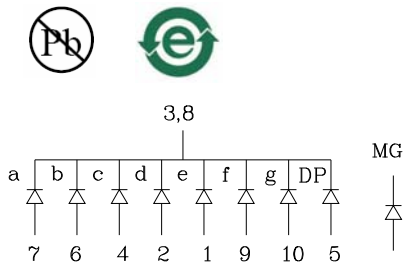
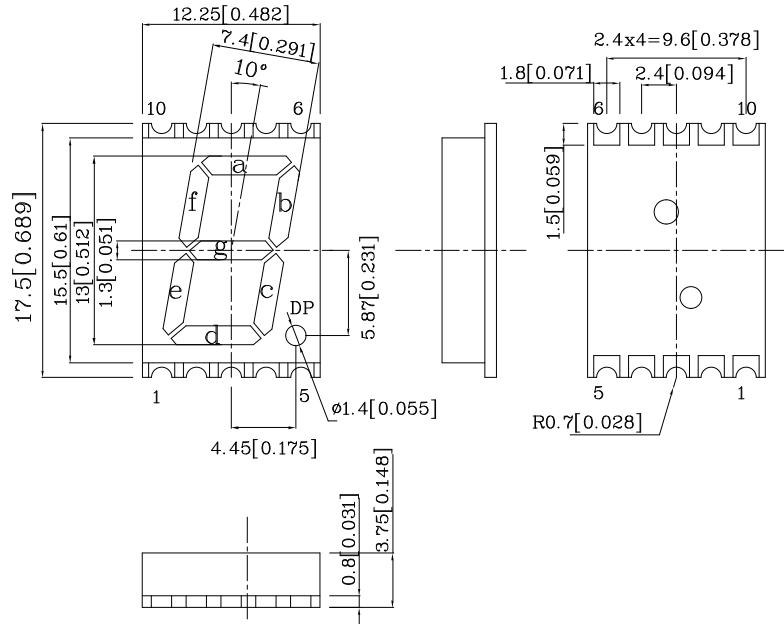


**PRELIMINARY SPEC**

**Features**

- 0.51 INCH DIGIT HEIGHT.
- LOW CURRENT OPERATION.
- I.C. COMPATIBLE.
- MECHANICALLY RUGGED.
- GRAY FACE, WHITE SEGMENT.
- PACKAGE: 400PCS / REEL.
- MOISTURE SENSITIVITY LEVEL : LEVEL 4.
- RoHS COMPLIANT.



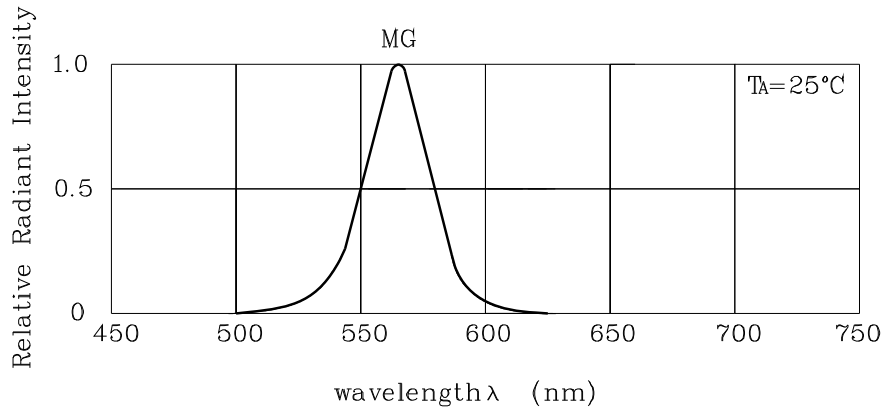
**Notes:**

1. All dimensions are in millimeters (inches).
2. Tolerance is  $\pm 0.25(0.01)$  unless otherwise noted.
3. The gap between the reflector and PCB shall not exceed 0.25mm.
4. Specifications are subject to change without notice.

| Absolute Maximum Ratings<br>(TA=25°C)                          |      | MG<br>(GaP) | Unit |
|--|------|-------------|------|
| Reverse Voltage  | VR   | 5           | V    |
| Forward Current  | IF   | 25          | mA   |
| Forward Current (Peak)<br>1/10 Duty Cycle<br>0.1ms Pulse Width | iFS  | 140         | mA   |
| Power Dissipation  | PT   | 62.5        | mW   |
| Operating Temperature  | TA   | -40 ~ +85   | °C   |
| Storage Temperature  | Tstg | -40 ~ +85   |      |

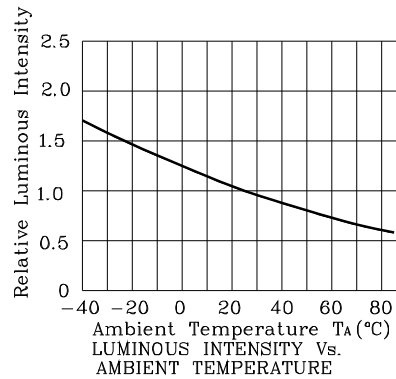
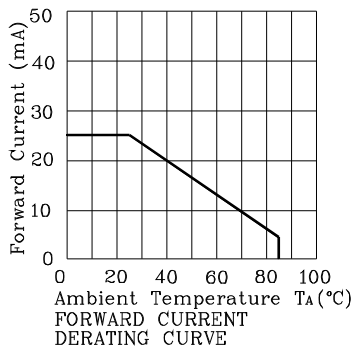
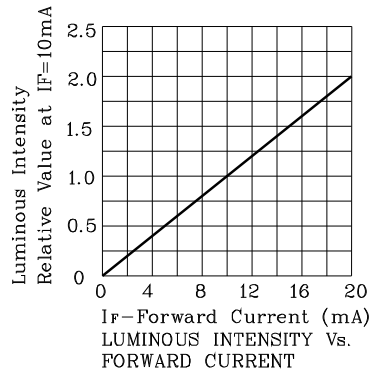
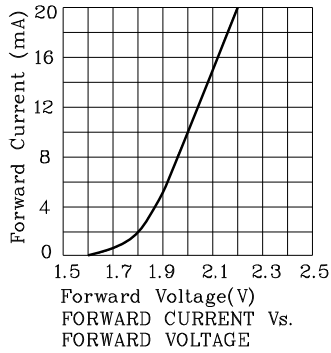
| Operating Characteristics<br>(TA=25°C)                          |                 | MG<br>(GaP) | Unit |
|---|-----------------|-------------|------|
| Forward Voltage (Typ.)<br>(IF=10mA)                             | VF              | 2.0         | V    |
| Forward Voltage (Max.)<br>(IF=10mA)                             | VF              | 2.5         | V    |
| Reverse Current (Max.)<br>(VR=5V)                               | IR              | 10          | uA   |
| Wavelength Of Peak<br>Emission (Typ.)<br>(IF=10mA)              | $\lambda P$     | 565         | nm   |
| Wavelength Of Dominant<br>Emission (Typ.)<br>(IF=10mA)          | $\lambda D$     | 568         | nm   |
| Spectral Line Full Width<br>At Half-Maximum (Typ.)<br>(IF=10mA) | $\Delta\lambda$ | 30          | nm   |
| Capacitance (Typ.)<br>(VF=0V, f=1MHz)                           | C               | 15          | pF   |

| Part Number | Emitting Color | Emitting Material | Luminous Intensity<br>(IF=10mA)<br>ucd |      | Wavelength<br>nm<br>$\lambda P$ | Description                      |
|-------------|----------------|-------------------|--|------|---------------------------------|----------------------------------|
|             |                |                   | min.                                   | typ. |                                 |                                  |
| ZFMG129C    | Green          | GaP               | 1200                                   | 5990 | 565                             | Common Cathode, Rt. Hand Decimal |



RELATIVE INTENSITY Vs. WAVELENGTH

❖ MG



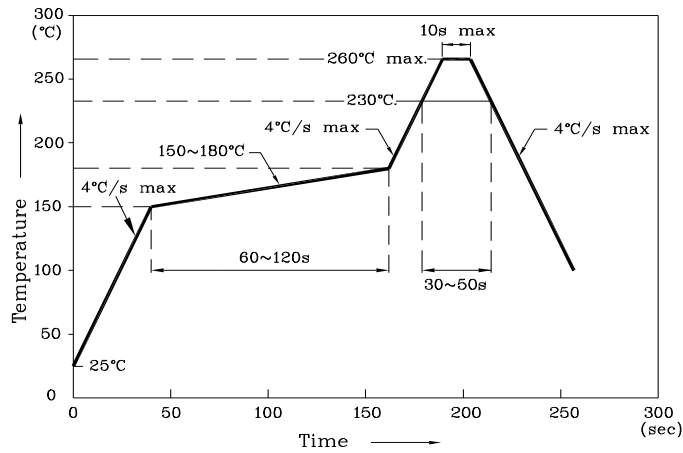
Remarks:

If special sorting is required (e.g. binning based on forward voltage, Luminous intensity / luminous flux, or wavelength), the typical accuracy of the sorting process is as follows:

1. Wavelength: +/-1nm
2. Luminous intensity / luminous flux: +/-15%
3. Forward Voltage: +/-0.1V

Note: Accuracy may depend on the sorting parameters.

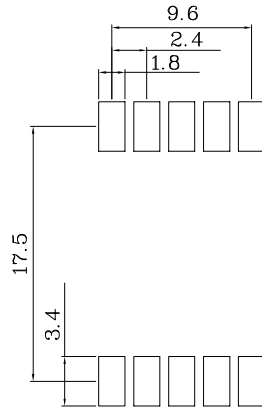
Reflow Soldering Profile For Lead-free SMT Process.



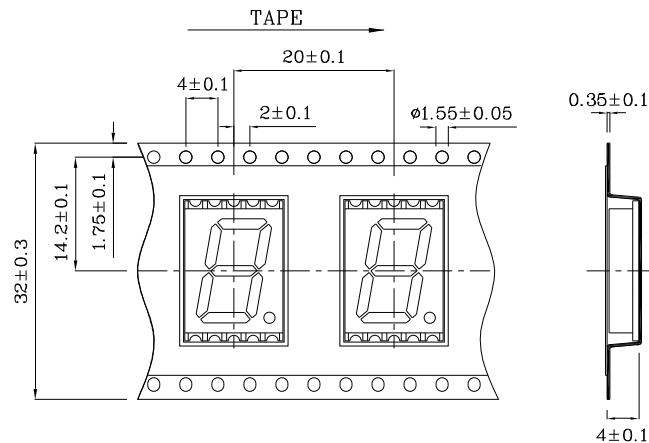
Notes:

1. Maximum soldering temperature should not exceed 260°C.
2. Recommended reflow temperature: 145°C-260°C.
3. Do not put stress to the epoxy resin during high temperatures conditions.

❖ Recommended Soldering Pattern (Units : mm;Tolerance:± 0.15)

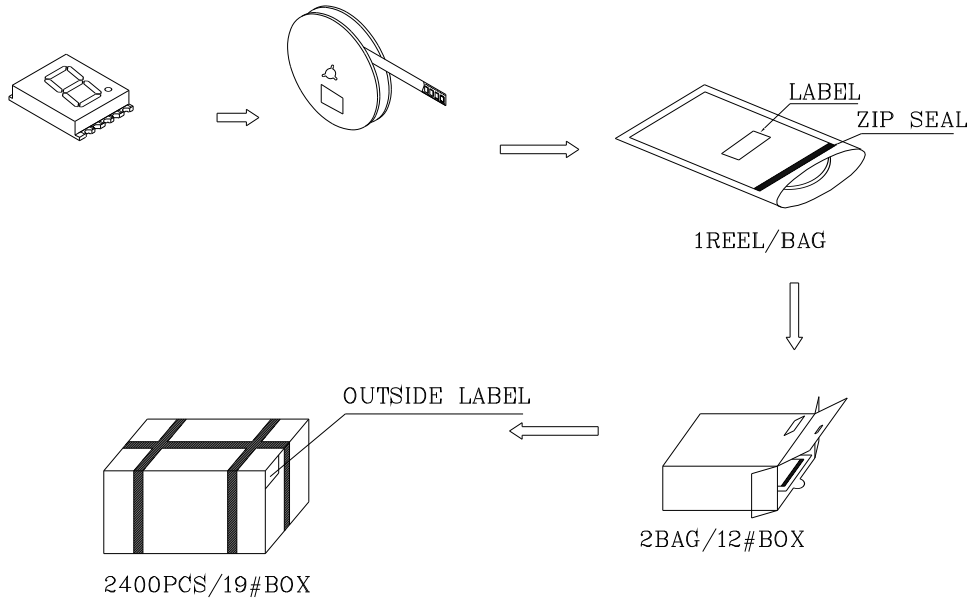


❖ Tape Specification (Units : mm)



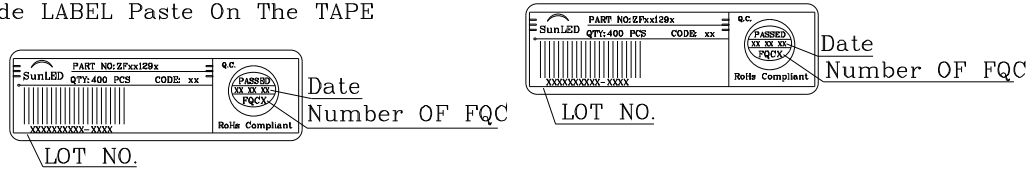
**PACKING & LABEL SPECIFICATIONS**

**ZFMG129C**



Outside LABEL Paste On The BAG

Inside LABEL Paste On The TAPE



Outside LABEL Paste On The 19#Box

Outside LABEL Paste On The 12#Box

